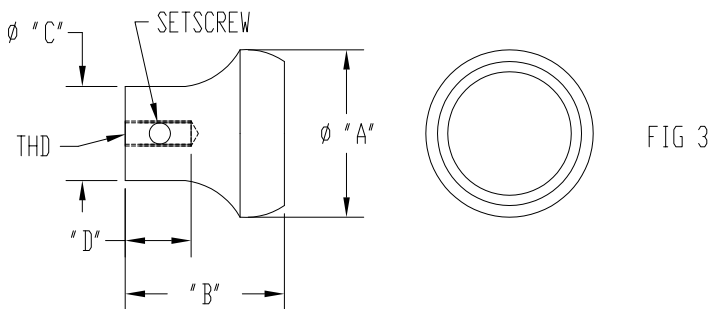
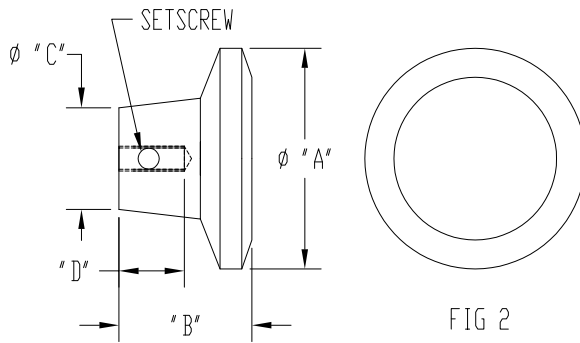
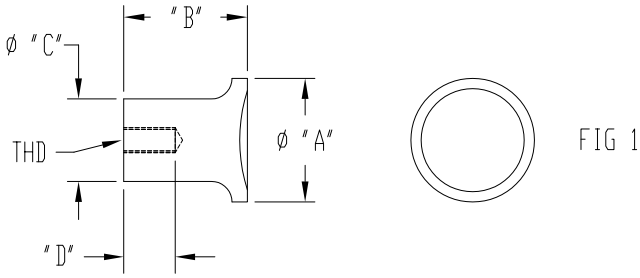


CONTROL KNOBS



BERGEN CABLE TECHNOLOGY, LLC



CONTROL KNOBS

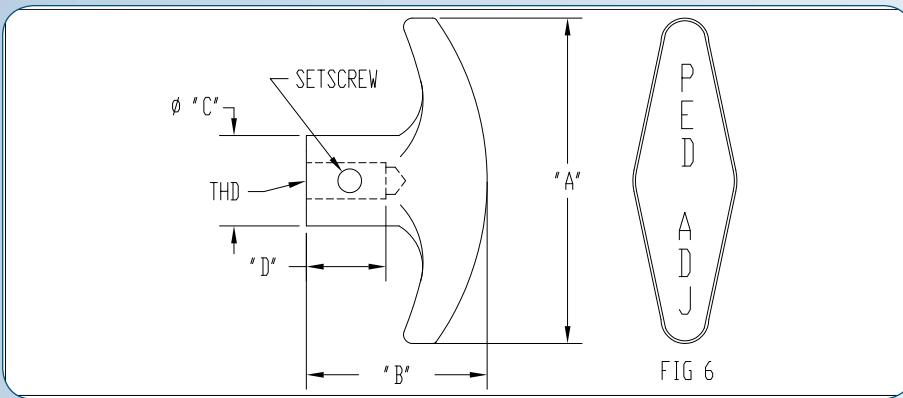
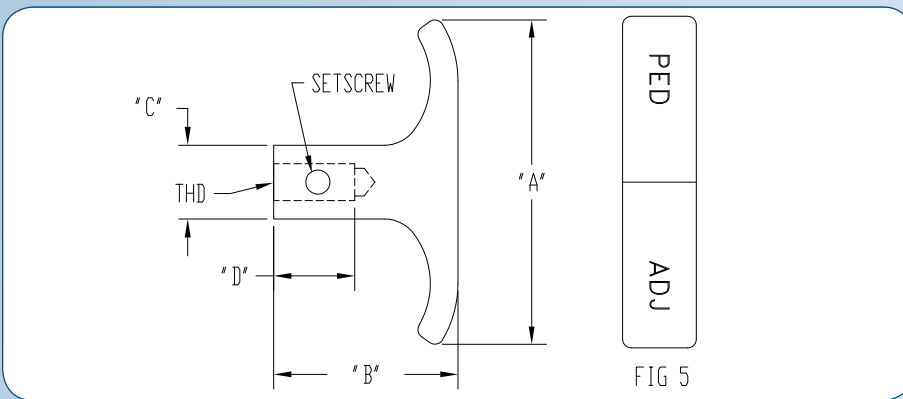
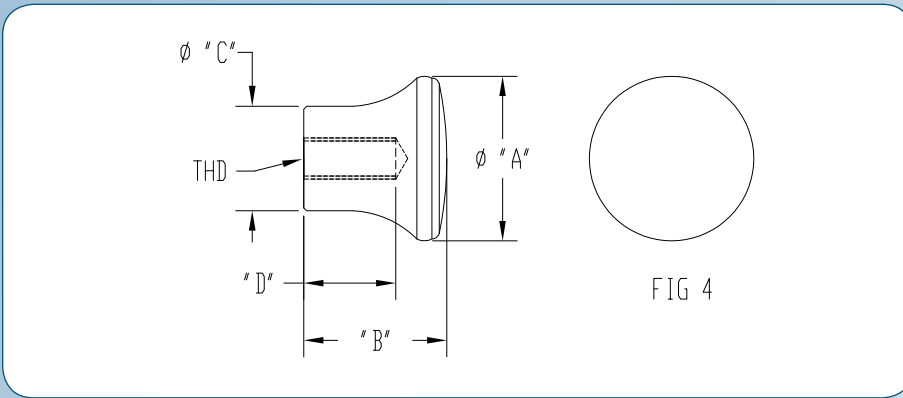
PART NUMBER	SHAPE	MATERIAL	"A"	"B"	"C"	"D"	THD	SET SCREW	GRAPHIC
3145-1	Fig 1	Plastic	ø0.75	0.75	ø0.50	0.31	#10-24	None	None
BC26110-24	Fig 2	Plastic	ø1.35	0.85	ø0.63	0.40	#10-24	#8-32	None
BC294-10-24	Fig 3	Plastic	ø1.0	0.97	ø0.56	0.40	#10-24	#8-32	None

Note: All dimensions are in inches.

CONTROL KNOBS



BERGEN CABLE TECHNOLOGY, LLC



CONTROL KNOBS

PART NUMBER	SHAPE	MATERIAL	"A"	"B"	"C"	"D"	THD	SET SCREW	GRAPHIC
KNOB2009	Fig 4	Plastic	ø1.0	0.87	ø0.56	0.56	1/4-20	None	None
745-00-527	Fig 5	Aluminum	2.25	1.25	0.50	0.55	1/4-20	#8-32	PED ADJ
BW747-02-307	Fig 6	Plastic	2.25	1.25	ø0.63	0.50	1/4-20	#8-32	PED ADJ
BL47-02-307	Fig 6	Plastic	2.25	1.25	ø0.63	0.50	1/4-20	#8-32	None

Note: All dimensions are in inches.