

INCH-POUND

AN665 REV 6
31 August 2011
SUPERSEDING
AN665 REV 5
8 APRIL 2009

DETAIL SPECIFICATION SHEET

TERMINAL – THREADED CLEVIS TYPE TIE ROD

Inactive for new design after 4 April 1998.

This specification sheet is approved for use by all Departments and Agencies of the Department of Defense.

The requirements for acquiring the product described herein shall consist of this specification sheet and procurement specification MIL-DTL-5683.

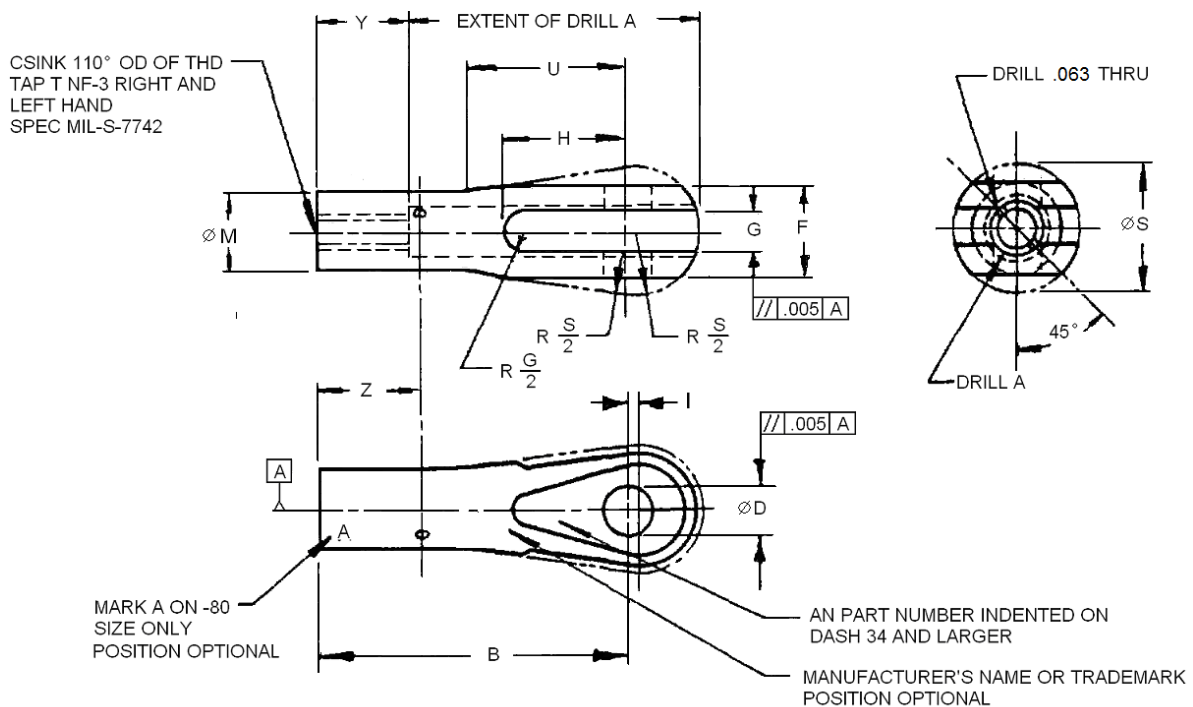


FIGURE I. Tie Rod.

TABLE I. Dash numbers and dimensions.

Dash No.	Rated tie rod strength MIN (LB)	Tap T	Drill A	B ±.015	ØD +.003 -.000		F +.010 -.005	G +.010 -.000	H	I +.010 -.000	ØM +.010 -.000	ØS	U	Y ±.047	Z
10L 10R	1200	6-40	.147	1.313	.190	+.002 -.000	.250	.109	.375	.031	.250	.375	.625	.250	.313
21L 21R	2400	10-32	.199	1.531			.313	.150	.469		.281	.500	.719	.313	.375
34L 34R	4200	1/4-28	.261	1.813	.250		.438	.203	.625	.047	.375	.625	.875	.438	.500
46L 46R	4600 (3)	5/16-24	.323	1.875	.313		.500		.656		.438	.688	.938	.563	.625
61L 61R	6900			2.000			.563		.844		.453	.750	1.000		
80L 80R 80LA 80RA	10000	3/8-24	.386	2.250	.375		.625	.266	.875	.063	.547	.875	1.125	.688	.750
115L 115R	13700	7/16-20	.453	2.500	.438		.719	.344	1.000	.078	.625	1.063	1.250	.750	.813
155L 155R	18500	1/2-20	.516	2.813	.500		.813	.406	1.188		.703	1.188	1.438	.875	.938
202L 202R	24000	9/16-18	.578	3.125	.563		.922	.453	1.375	.094	.796	1.375	1.625	1.000	1.063
247L 247R	29500	5/8-18	.640	3.375	.625		1.032	.516	1.500		.875	1.500	1.750	1.125	1.188
430L 430R	42000	3/4-16	.766	4.125	.750		1.250	.656	1.938	.109	1.063	1.813	2.250	1.375	1.438
580L 580R	58000	7/8-14	.891	4.875	.875		1.500	.781	2.313		1.250	2.125	2.688	1.625	1.688
760L 760R	76000	1-14	1.016	5.750	1.000		1.750	.906	2.688	.125	1.438	2.438	3.125	1.875	1.938
780L 780R	76000	1-12	1.016	5.750	1.000		1.750	.906	2.688	.125	1.438	2.438	3.125	1.875	1.938

Notes:

1. Material: Steel in accordance with procurement specification, MIL-DTL-5683.
2. Dimensions in inches. Unless otherwise specified, tolerances: Dimensions ± .010, Angles ± 3°.
3. Special, for use with 6900 lb. rod with 4600 lb. rating.
4. Remove all burrs and sharp edges.
5. Example of part number: AN665-10L - left hand thread
AN665-10R - right hand thread
6. Changes from previous issue. The margins of this specification are marked with vertical lines to indicate where changes from the previous issue were made. This was done as a convenience only and the Government assumes no liability whatsoever for any inaccuracies in these notations. Bidders and contractors are cautioned to evaluate the requirements of this document based on the entire content irrespective of the marginal notations and relationship to the last previous issue.

Custodians:
Army - MI
Navy - AS
Air Force - 99

Preparing Activity:
DLA -IS

(Project 5340-2011-003)

NOTE: The activities listed above were interested in this document as of the date of this document. Since organizations and responsibilities can change, you should verify the currency of the information above using the ASSIST Online database at <https://assist.daps.dla.mil>.